



DV451

Showcase surveillance detector

with new detection principle

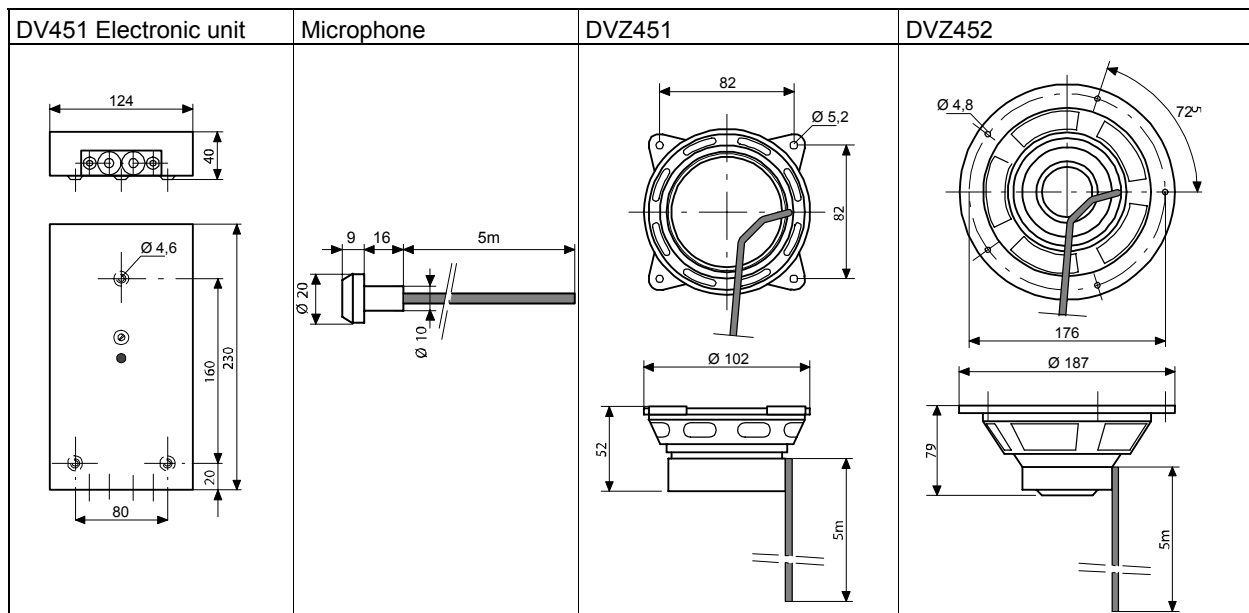
- **Active surveillance system with new detection principle**
- **Total volumetric surveillance from 100 litres (0.1 m³) to 2000 litres (2 m³)**
- **Highest level of detection reliability by monitoring changes in air-tightness and volume**
- **Immune to normal visitor's activities**
- **Can be adapted to the type of showcase and environmental conditions**

Safe monitoring. The DV451 showcase surveillance detector registers every kind of attack on the showcase promptly and reliably. The active detection system is used in showcases with a volume of 100 to 2000 litres in museums, art galleries, jeweller's shops and facade showcases.

Highly professional. The loudspeaker and microphone are connected to an electronic unit, whose microprocessor evaluates the difference between the signals transmitted and received. If the measured change of signal indicates an attack on the showcase an alarm is immediately activated. By adjusting sensitivity and response time, the detection performance is adapted to the type of showcase.

Discreet intallation. The DV451 loudspeaker and microphone can be installed anywhere on the enveloping surface of the showcase.

Dimensions



Technical data

Supply voltage(nom. 12V)	9 ... 16 VDC
- Voltage monitoring	< 9 V
Current consumption (stable and airtight showcase 12 VDC)	
- Quiescent / alarm	
- Showcase volume < 1'000 l (< 1 m ³)	45 ... 120 mA / 100 ... 150 mA
- Showcase volume > 1'000 l (> 1 m ³)	100 ... 150 mA / 150 mA ... 220 mA
Alarm output	
- Relay contact (opens on alarm)	100 VDC / 0,4 A / 10 W
- Alarm holding time	approx. 5 s
Tamper contact	
- Relay contact (opens on tamper)	50 VDC / 1 A
Local horn relay	
- Switchover contact	24 VDC / 1 A or 120 VAC / 0,5 A
Control input	
- Inhibit horn	LOW ≤ 1 V / HIGH ≥ 3,5 V
Sensitivity	4 levels
Response time	4 levels
Showcase volume	100 ... 2000 litres (0,1 ... 2 m ³)
Environmental conditions	
- Operating temperature	0 ... + 50°C
- Storage temperature	- 10 ... + 60°C
- Housing protection (EN 60529, EN 50102)	IP31

Ordering data

Type	Art. No.	Designation	Weight
DV451	461733	Showcase surveillance detector (electronics unit and microphone)	1.900 kg
DVZ451	468147	Loudspeaker 1 (small) with 5 m cable	0.700 kg
DVZ452	479301	Loudspeaker 2 (large) with 5 m cable	1.085 kg
	503251	Adhesive tamper seal	

Siemens Switzerland Ltd.
International Headquarters
Fire Safety & Security Products
Gubelstrasse 22
CH - 6301 Zug
Tel. +41 41 724 24 24
Fax +41 41 724 35 22
www.sbt.siemens.com

© 2005 Copyright by
Building Technologies Group
Data and design subject to change without notice. Supply subject to
availability.